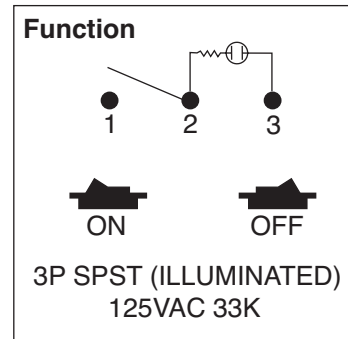
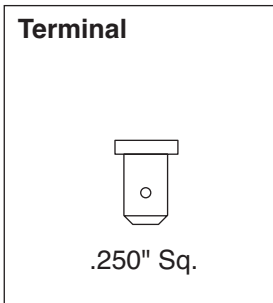
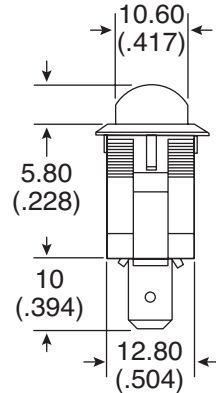
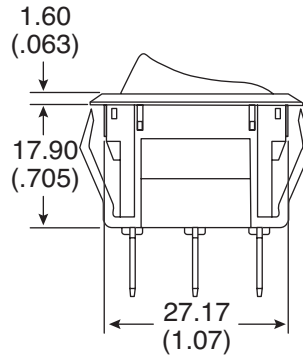
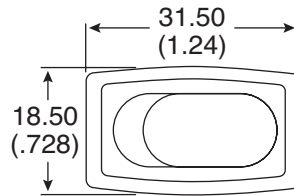
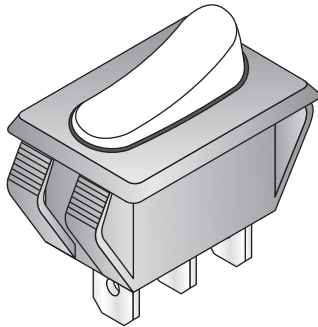


Dimensions: mm (In.)



**Electrical Specifications:**

- Rating: 16A/125VAC, 1/3HP; 10A/250VAC, 1/2HP
- Contact resistance: 50mΩ max.
- Insulation resistance: 500VDC 100MΩ min.
- Dielectric strength: 1500VAC for 1 min.

**Note:**

- RoHS Compliant

Stock No. 103-	Button
R13-238B-01R-EV 103-	Red Illuminated / Neon
R13-238B-01G-EV	Green Illuminated / Neon

**Cut-out**

	X	Y
0.75~3	27.6-0.1	13.8+0.1
3~4	27.8-0.1	13.8+0.1
4~5	28.0-0.1	13.8+0.1

Illuminated Rocker Switches  
103-R13-238B-01R-EV, 103-R13-238B-01G-EV

