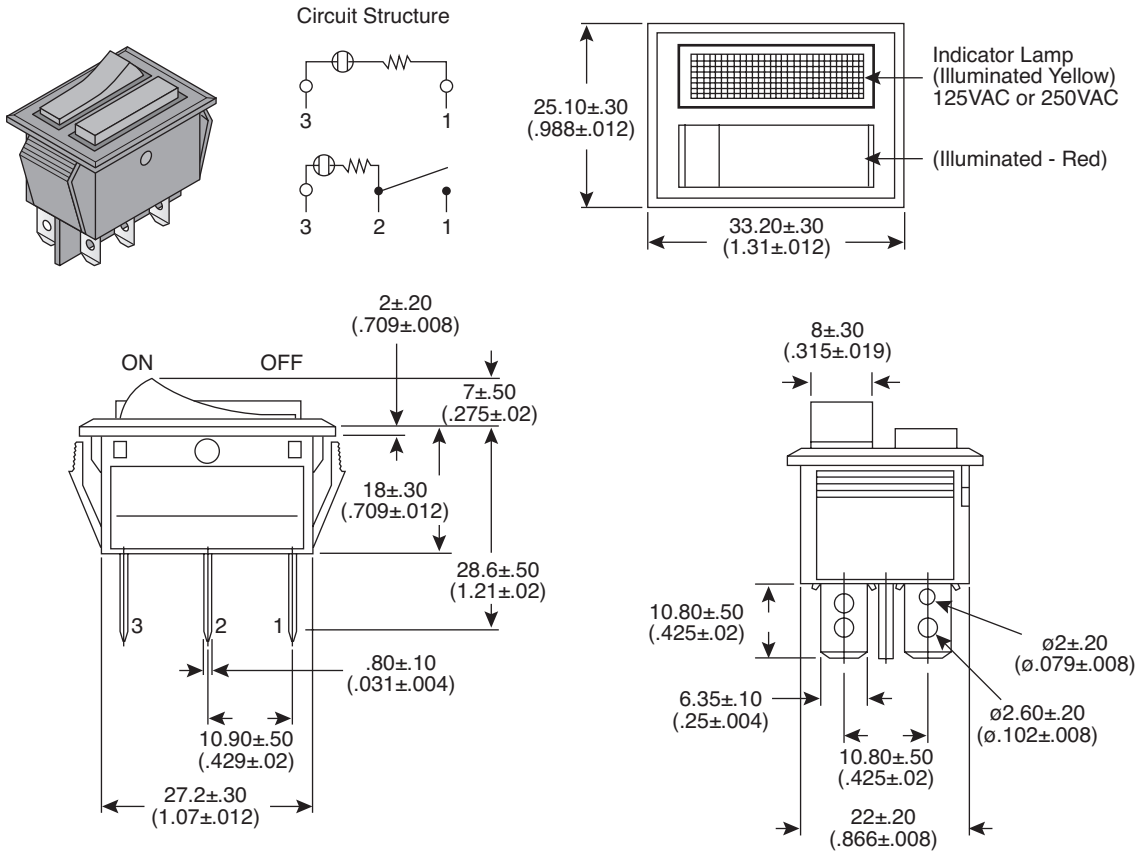


Dimensions: mm (In.)



Electrical Specifications:

- Rating: 16A / 125VAC, 1 / 8HP; 10A / 250VAC, 1 / 3HP
- Contact Resistance: 50m Ω max.
- Insulation Resistance: 500 VDC 100M Ω min.
- Dielectric Strength: 1500 VAC for 1 minute

Mechanical Specifications:

- Operating Temperature: -25°C ~ 85°C
- Circuit: 3P SPST On-Off

Note:

- RoHS Compliant

Illuminated Rocker Switch
103-7076-EV

