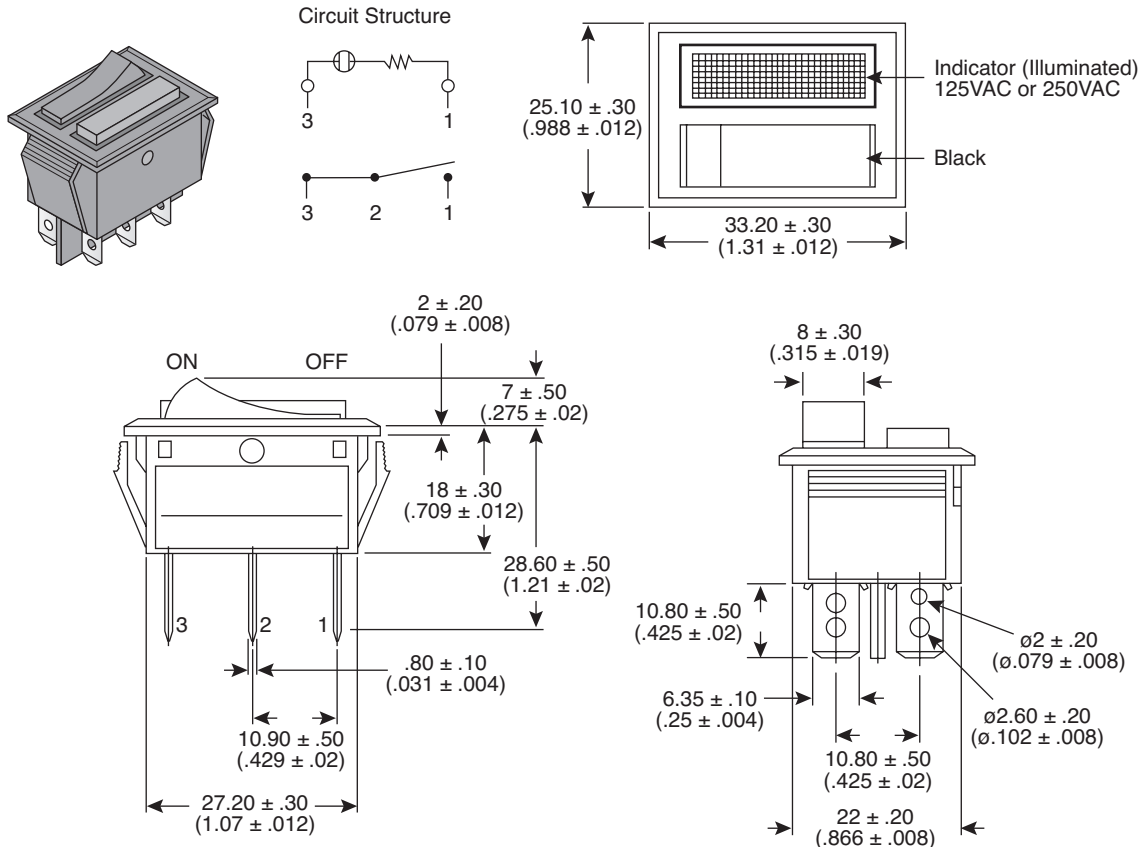


Dimensions: mm (In.)



**Mechanical Specifications:**

- Operating Temperature: -25°C ~ 85°C
- Circuit Options: 3P SPST On-On

**Note:**

- RoHS Compliant by Exemption

**Electrical Specifications:**

- Rating: 16A / 125VAC, 1 / 8HP  
10A / 250VAC, 1 / 3HP
- Contact Resistance: 50m Ω max.
- Insulation Resistance: 500 VDC 100M Ω min.
- Dielectric Strength: 1500 VAC for 1 minute

**Rocker Switch**  
103-7074-EVX

